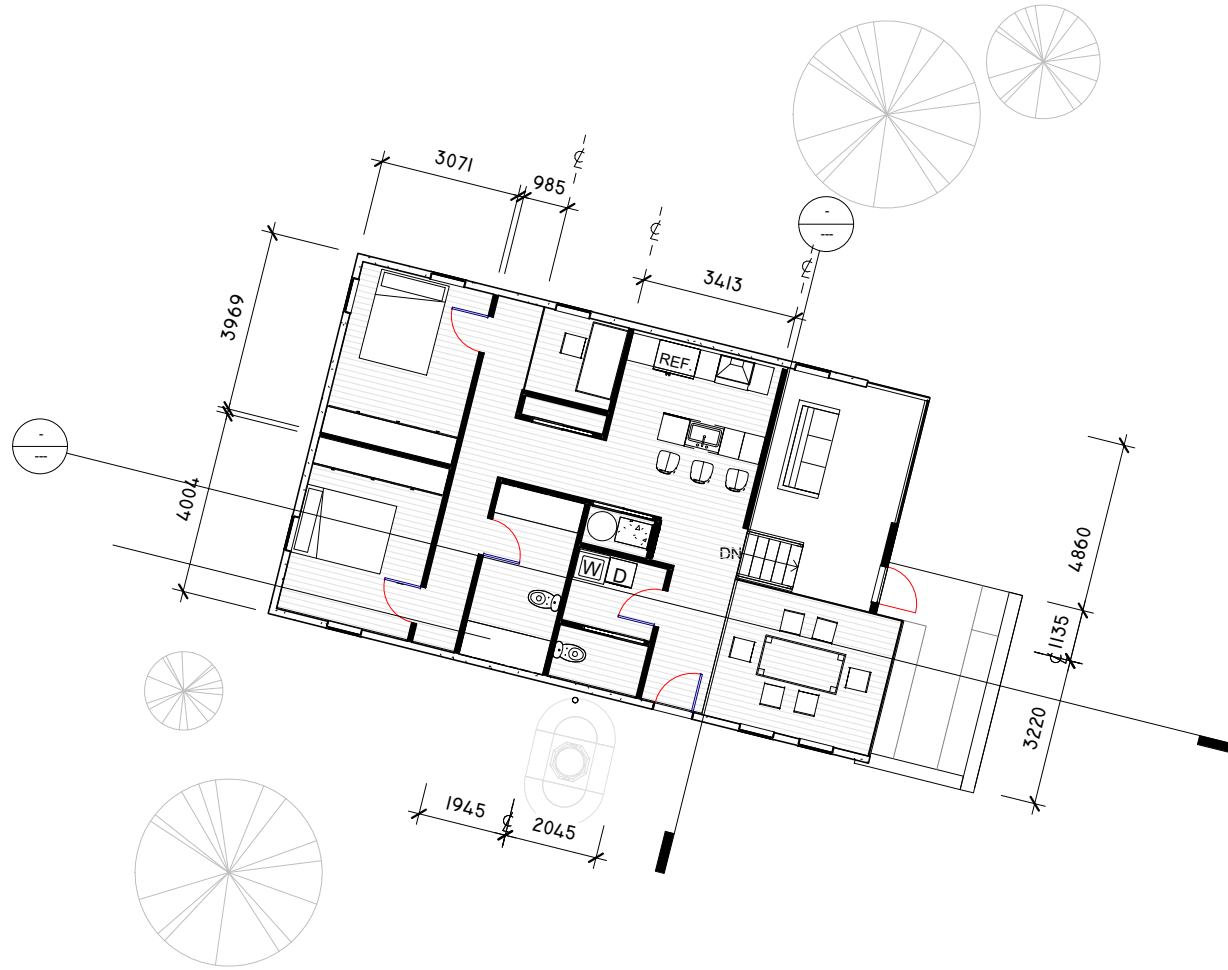
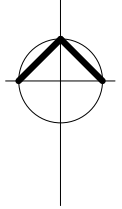


Site Plan  
1 : 200

Foundation Plan  
1 : 200

Tuakiri	Rosie Chote / 13008876	Project: Residential 300	Drawing: <b>Site Plan and Foundation Plan</b> Drawn Scale: 1 : 200	Date: 10/13/17	Sheet No: <b>A110</b>
	<b>Regeneration</b>			Project No. 1	



Plan  
1 : 100

Tuakiri

Rosie Chote / 13008876

Regeneration

Project:

Residential 300

Drawing: Plan

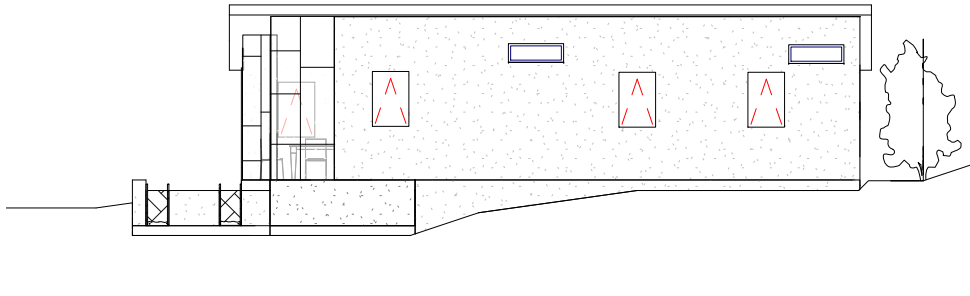
Drawn Scale: 1 : 100

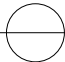
Date: 10/12/17

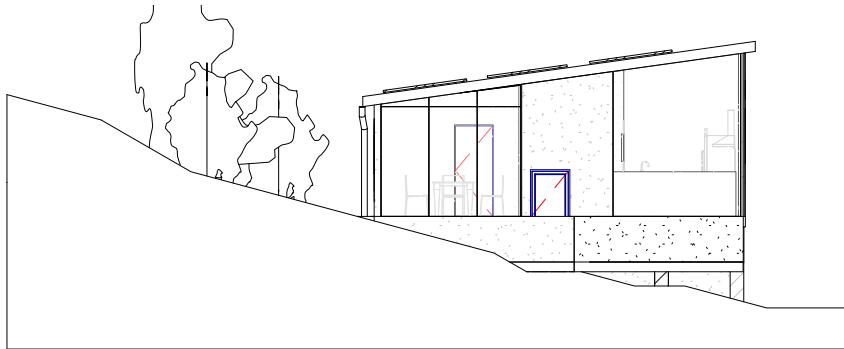
Project No.  
1

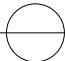
Sheet No:

A111

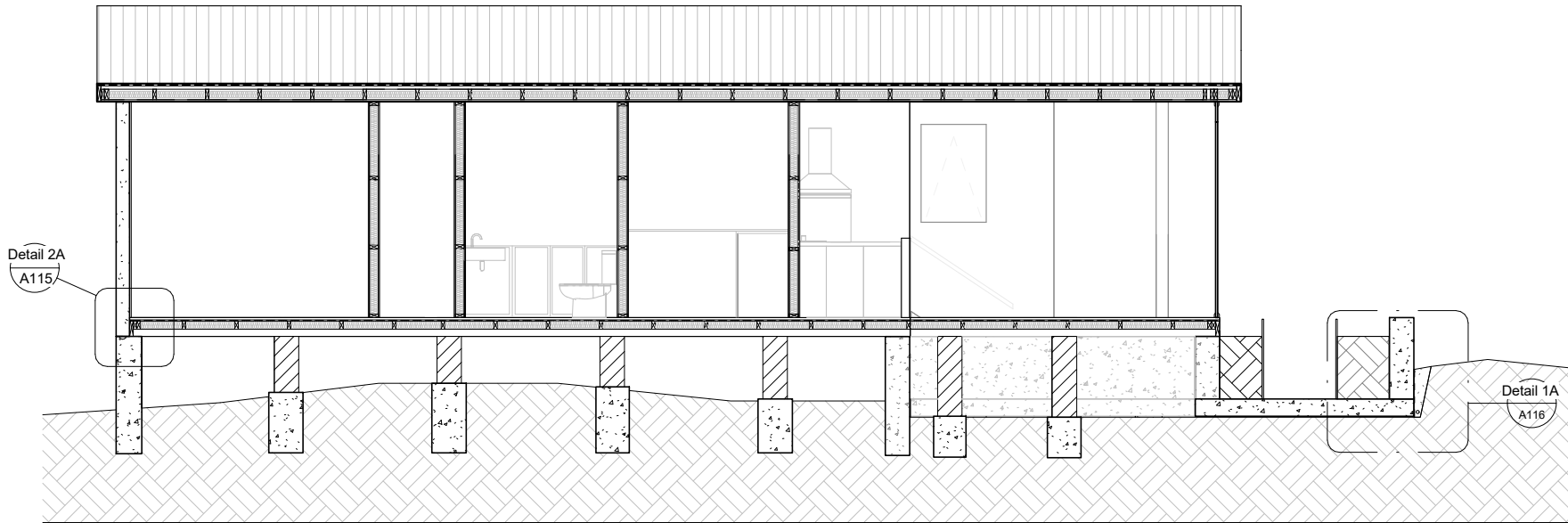



 Elevation A - North  
 1 : 100




 Elevation B - West

<p>Tuakiri</p>	<p>Rosie Chote / 13008876</p> <p><b>Regeneration</b></p>	<p>Project:</p> <p><b>Residential 300</b></p>	<p>Drawing: <b>Elevations A and B</b></p> <p>Drawn Scale: 1 : 100</p>	<p>Date: 10/12/17</p> <p>Project No. 1</p>	<p>Sheet No: <b>A112</b></p>
----------------	--	---	---	--	----------------------------------



Section B - West

1 : 50

Tuakiri

Rosie Chote / 13008876

Regeneration

Project:

Residential 300

Drawing: Section C

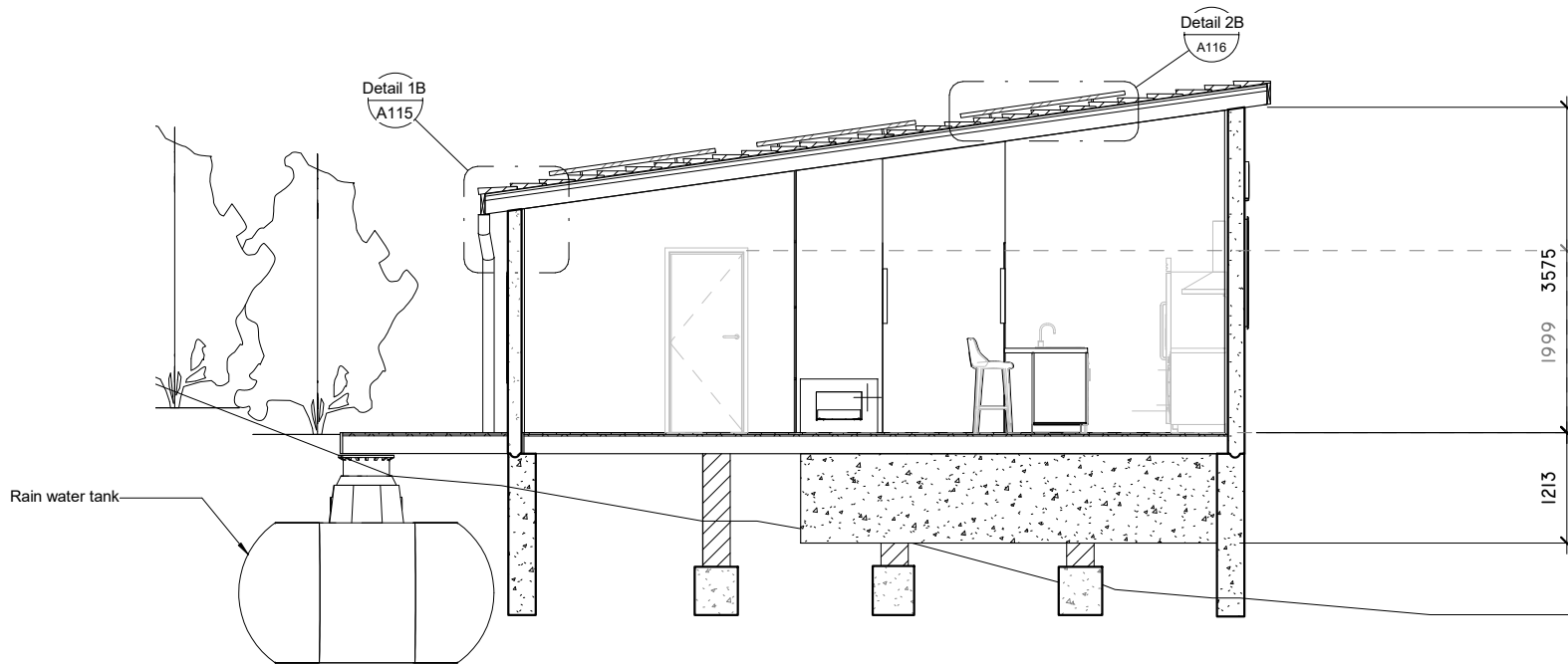
Drawn Scale: 1 : 50

Date: 10/13/17

Project No.  
1

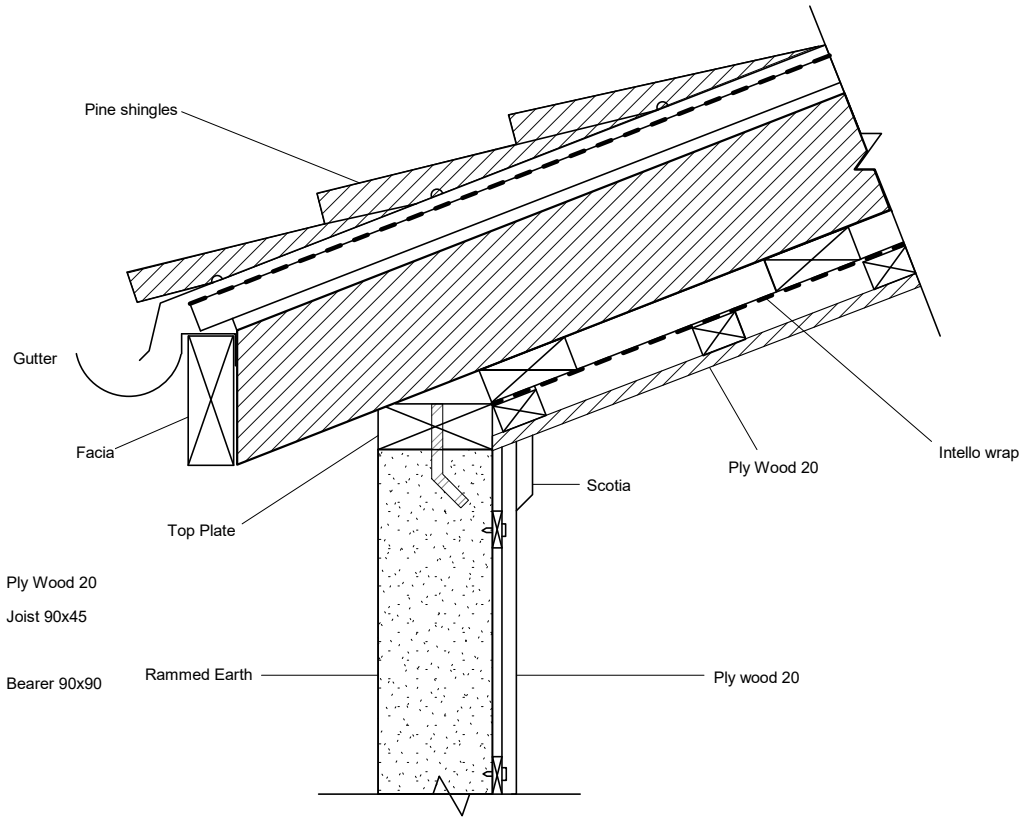
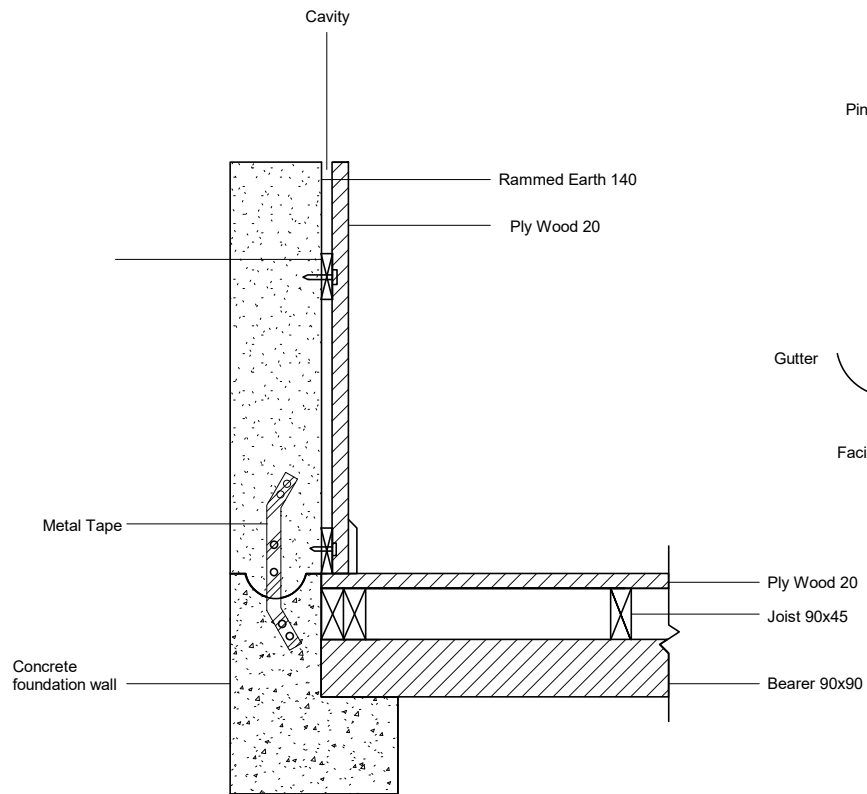
Sheet No:

A113



Section A - West  
1 : 50

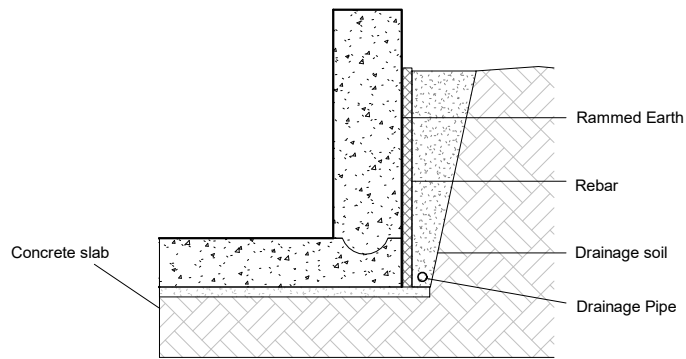
<b>Tuakiri</b>	Rosie Chote / 13008876	Project:	Drawing: <b>Section A</b>	Date: 10/12/17	Sheet No:
	<b>Regeneration</b>	<b>Residential 300</b>	Drawn Scale: 1 : 50	Project No. 1	<b>A114</b>



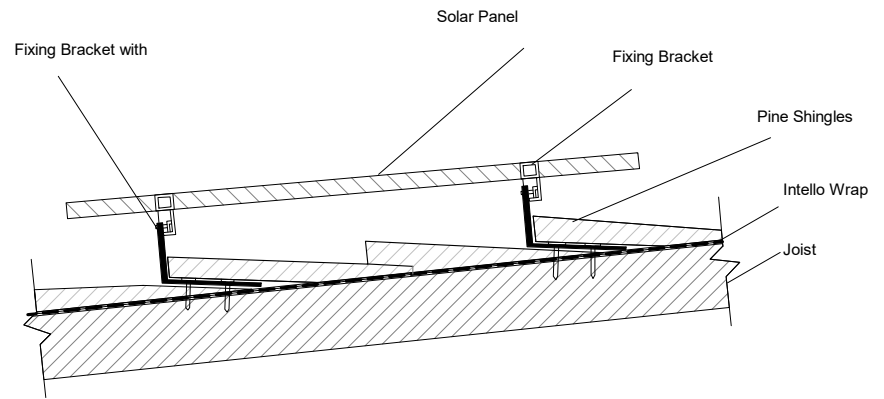
Detail 2A - Foundation to Rammed Earth  
NTS

Detail 2B - Rammed Earth to Roof  
NTS

Tuakiri	Rosie Chote / 13008876	Project: Residential 300	Drawing: Details B Rammed Earth Walls to Roofing Drawn Scale: 1 : 100	Date: 10/12/17	Sheet No: A115
	Regeneration			Project No. 1	



Detail 1A - Retaining Wall  
NTS



Detail 1B - Solar Panel Fixture  
NTS

Tuakiri

Rosie Chote / 13008876

Regeneration

Project:

Residential 300

Drawing: Retaining Wall and Solar Panel Details

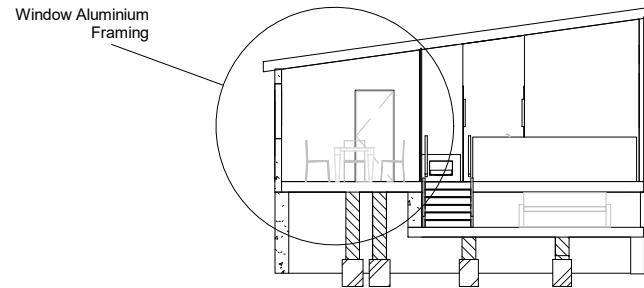
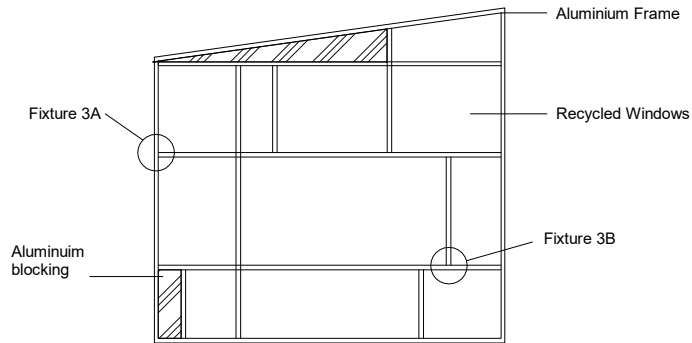
Drawn Scale: As indicated

Date: 10/17/17

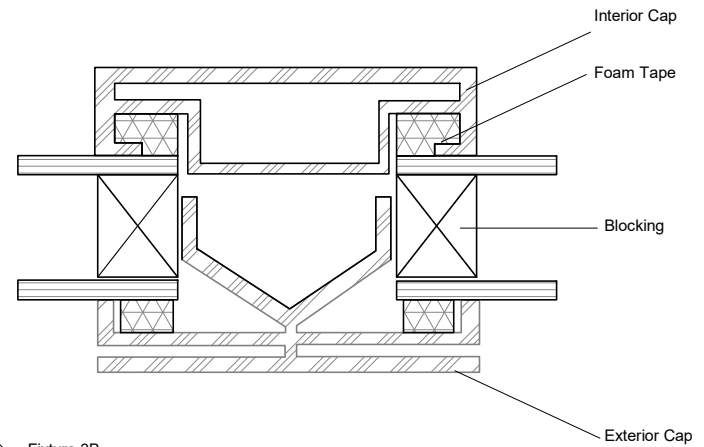
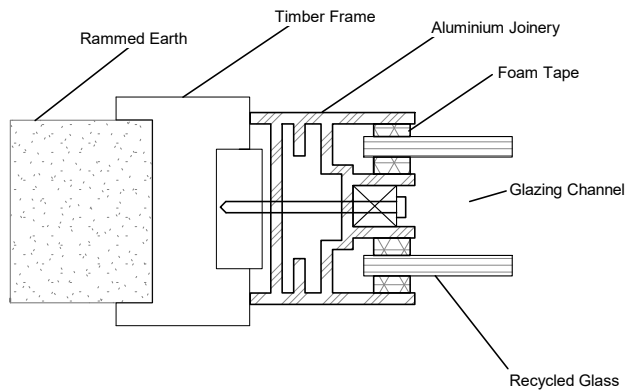
Project No.  
1

Sheet No:

A116



Upcycled windows sourced from demolition project



Tuakiri

Rosie Chote / 13008876

Regeneration

Project:

Residential 300

Drawing: Window Framing Details  
3A and 3B

Drawn Scale: As indicated

Date: 10/13/17

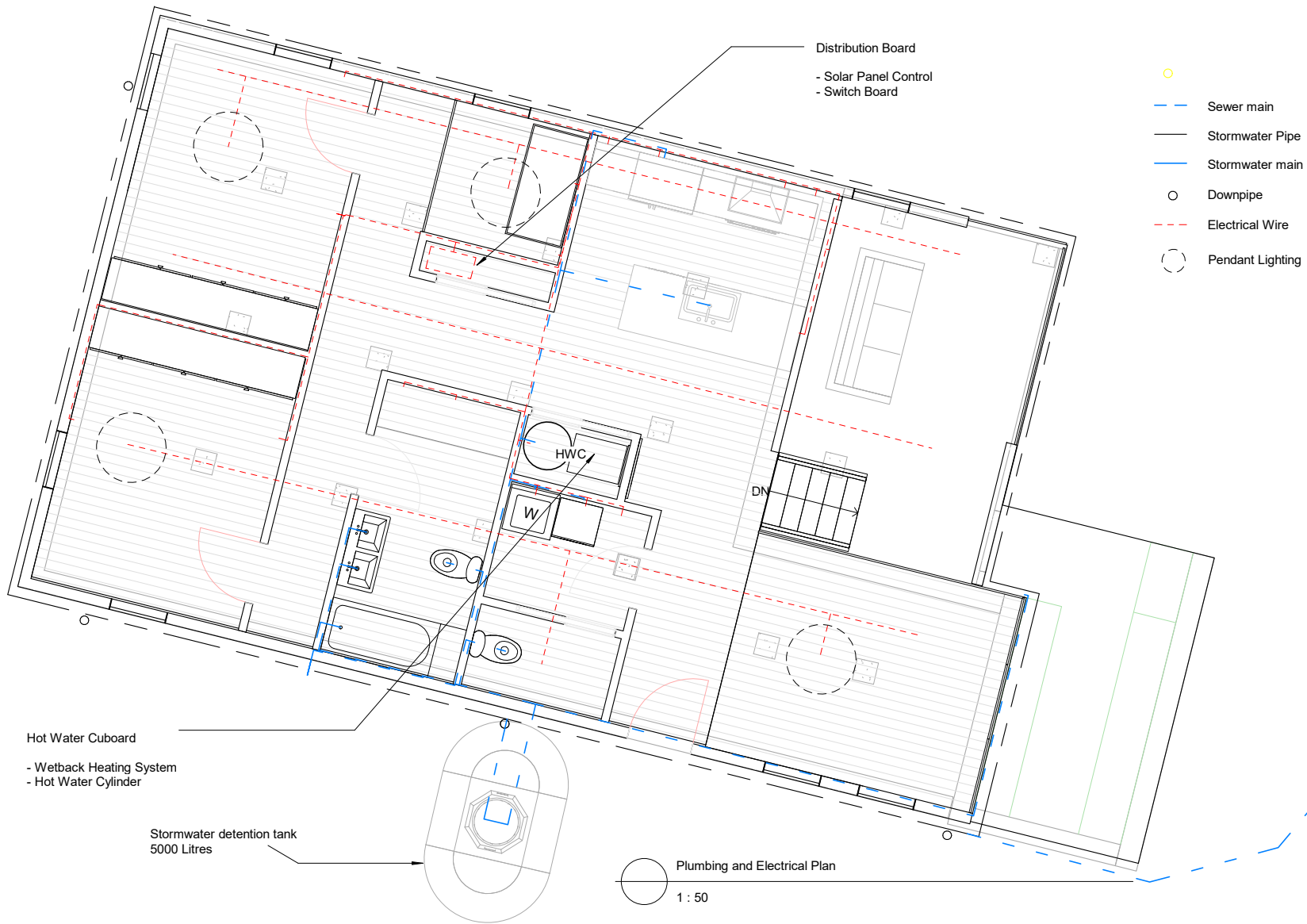
Project No.

1

Sheet No:

A117





Tuakiri

Rosie Chote / 13008876

Regeneration

Project:

Residential 300

Drawing: Plumbing and Electrical Plan

Drawn Scale: 1 : 50

Date: 10/18/17

Project No.

1

Sheet No:

A118